

Features

- Lifting Height of up to 5.60 m
- Maximum capacity of 2,500 kg
- Clear View cab provides all round vision
- Audio-visual Load Stability indicator
- Mechanical Quick-switch coupler for efficient attachment changes
- Four-wheel steering - Front wheel, Co-ordinated and crab.
- Powershift transmission
- Four wheel drive
- 45% gradeability.

Performance

Maximum Lift Capacity

2,500 kg

Capacity at full height

2,000 kg

Maximum Forward Reach

3.30 m

Capacity at Maximum Forward Reach

800 kg

Lifting Height

5.60 m

Reach at Maximum Height

0.70 m

Break-out force with standard bucket

36 kN

Drawbar Pull (loaded)

3946 kg

Carriage Rotation

125°

Standard Specifications

Engine

Perkins 1104D-44T, 62.6kw @ 2200 rpm.
4.4 litre, turbocharged, liquid cooled
EPA T3, EEC Stage IIIA compliant.

97L Fuel Tank

9.8.L Engine Oil

15.1L Coolant

Hydraulic System

Gear Pump 84 l/min

Transmission

Hydrostatic

Drive

Permanent 4 wheel drive

Steering

4 WS/Front Steer/Crab Steer

Parking Brakes

Wet multi disc

Tyres

12 x 16.5

Accessories & Options

- Battery disconnect switch
- Work lights
- Skylight/rear wiper
- Radio ready kit
- Tow hitch
- Front screen guard
- Air conditioning
- Hydraulic quick switch
- Rear auxilliary hydraulics
- Special paint
- Universal skid steer coupler
- 14 x 17.5 tyres
- Foam Filled Tyres

Attachments

Grapple bucket

Material bucket

Standard carriage

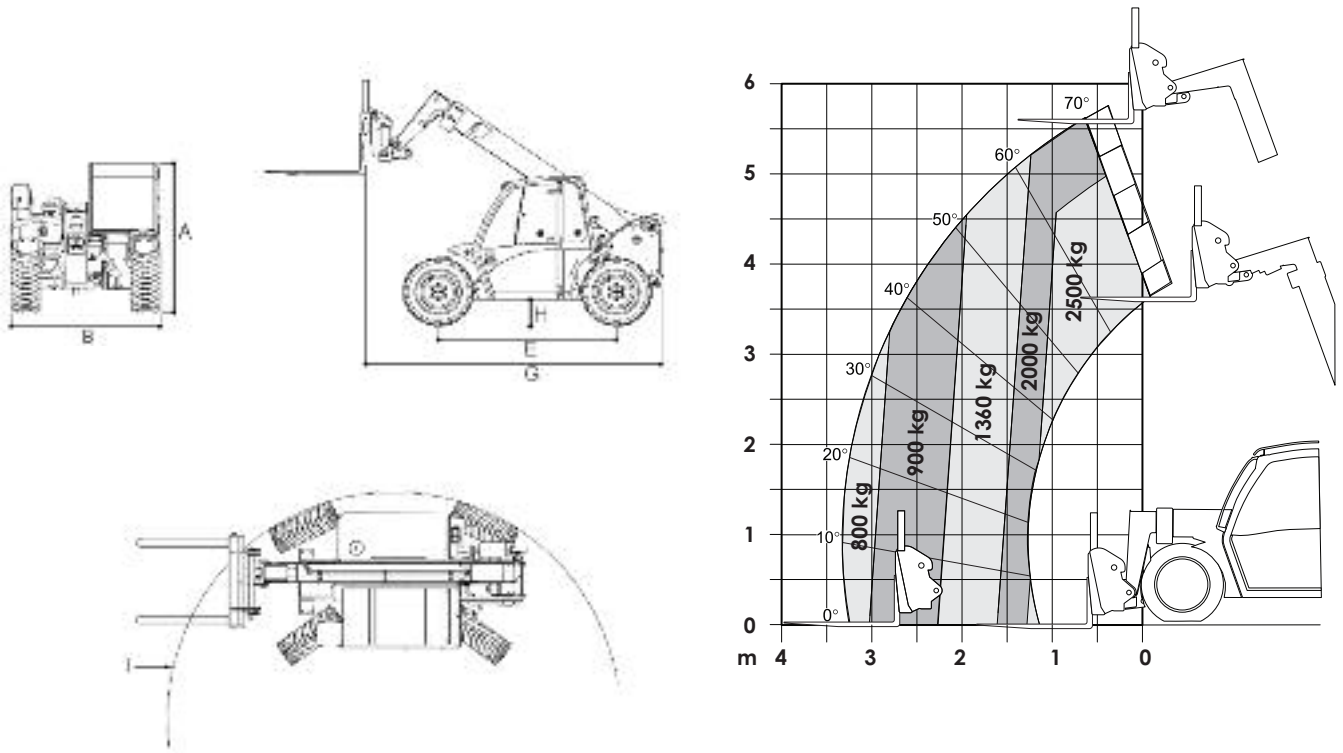
Universal skid-steer adapter

Lifting hook



Dimensions

A. Overall Height	1.90 m
B. Overall Width	1.80 m
C. Width of Cab	0.87 m
D. Track width	1.92 m
E. Wheelbase	2.29 m
F. Length at front wheels	4.60 m
G. Length at fork-holder plate	3.65 m
H. Ground Clearance	0.27 m
I. Turning radius over tyres	3.30 m
J. Turning radius at fork	5.35 m
Gross Vehicle Weight (closed cab CE version).....	4,920 kg



JLG is continually researching and developing products and reserves the right to make modifications without prior notice. All data in this document is indicative. Certain options or country standards will increase weight. Specifications may change to meet country standards or with the addition of optional equipment.

JLG Industries Inc.
 Polaris Avenue 63
 2132 JH Hoofddorp
 The Netherlands
 Tel: +31 (0)23 565 5665
 Fax: +31 (0)23 557 2493
 e-mail address: europe@jlg.com
www.jlg.com

Printed in UK
 FORM No.: TMH-0308-50
 PART NO.: TMH069-ENGLISH

